

DESCRIPTION

AMC MODEL SWN-RA-2DRH-COMDEV OPTIONS: 902, HS100NS IS A REFLECTIVE SINGLE POLE TWO THROW SWITCH MODULE DESIGNED FOR HIGH POWER APPLICATIONS AND OPTIMIZED FOR THE FREQUENCY OF 9.2 GHz.

SPECIFICATIONS

- FREQUENCY RANGE: 9.2 GHz
- INSERTION LOSS: 2.0 dB MAXIMUM
- ISOLATION: 50 dB MINIMUM
- VSWR: 2.0:1 MAXIMUM
- RISE TIME: 100 nSec MAXIMUM
- FALL TIME: 100 nSec MAXIMUM
- HARMONIC LEVELS: -30 dBc UNDER MAXIMUM INPUT CONDITIONS
- SPURIOUS OUTPUT: -115 dBc MAXIMUM, UP TO 200 MHz
AWAY FROM 10 GHz AT AN INPUT POWER
LEVEL OF +29.5 dBm
- THIRD ORDER INTERCEPT: +42 dBm MINIMUM
- POWER SUPPLY: +5V ±5% @ 160 mA MAXIMUM
+12V ±5% @ 50 mA MAXIMUM
- CONNECTORS:
RF: SMA FEMALE
CONTROL: SOLDER PIN
- RF INPUT POWER: +40 dBm CW MAXIMUM
- SIZE: 1.20" (L) x 1.00" (W) x 0.50" (H)
- WEIGHT: 1.5 OUNCE TYPICAL

OPTIONS:

- 902: OPTIMIZED FOR 9.2 GHz
- HS100NS: 100 nSec SWITCHING SPEED

| CONTROL | | INPUTS | | STATE |
|---------|----|--------|----|----------------------|
| C1 | C2 | C1 | C2 | |
| 0 | 0 | 0 | 0 | NOT VALID |
| 0 | 1 | 0 | 1 | *J1-J2 ON, J1-J3 OFF |
| 1 | 0 | 1 | 0 | *J1-J2 OFF, J1-J3 ON |
| 1 | 1 | 1 | 1 | BOTH OFF |

*J1-J2 CORRESPONDS TO RF1, J1-J3 CORRESPONDS TO RF2

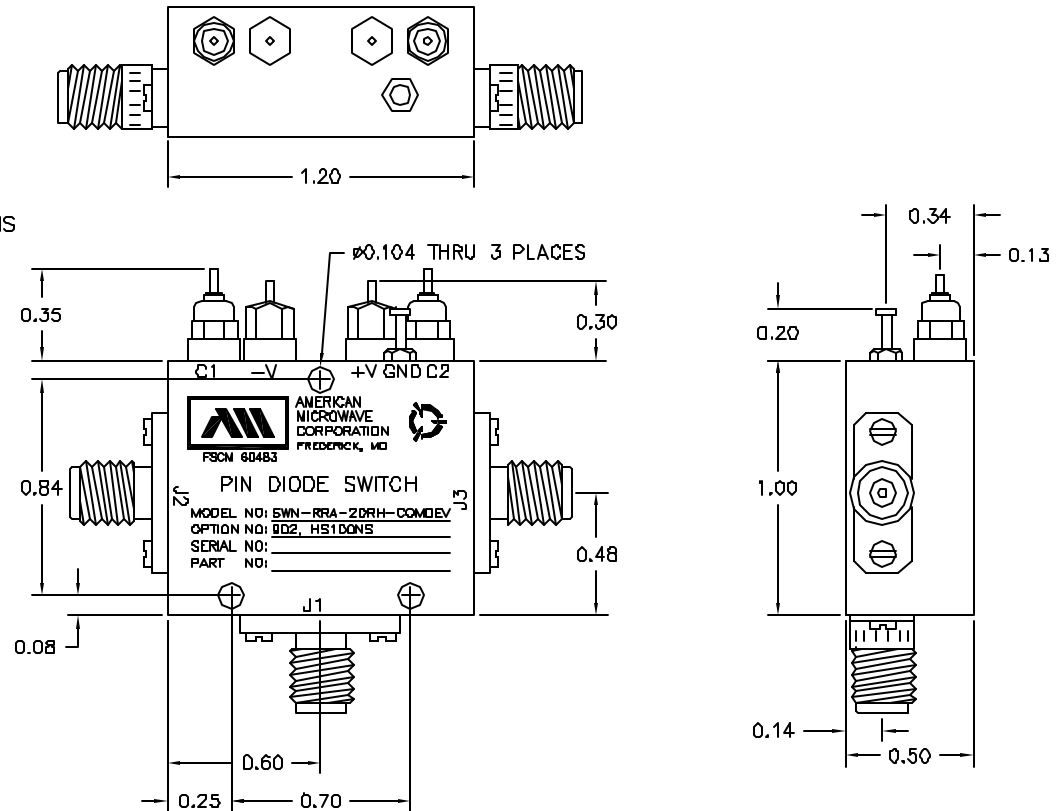
ENVIRONMENTAL RATINGS:

- TEMPERATURE: -55°C TO +85°C (OPERATING)
-65°C TO +125°C (STORAGE)
- HUMIDITY: MIL-STD-202F, METHOD 103B COND. B
- SHOCK: MIL-STD-202F, METHOD 213B COND. B
- VIBRATION: MIL-STD-202F, METHOD 204D COND. B
- ALTITUDE: MIL-STD-202F, METHOD 105C COND. B
- TEMPERATURE CYCLE: MIL-STD-202F, METHOD 107D COND. A

NOTE: SPECIFICATIONS WILL VARY OVER OPERATING TEMPERATURE
NOTE: THE ABOVE SPECIFICATIONS ARE SUBJECT TO CHANGE OR REVISION

ALL DIMENSIONS ARE IN INCHES
TOLERANCES:
XXX ±0.020
XXX ±0.010

| REVISIONS | | | | |
|-----------|------|--------------------------------|---------|----------|
| ZONE | REV. | DESCRIPTION | DATE | APPROVED |
| | - | ORIGINAL RELEASE JOB# 603045XN | 4/19/06 | |



AMERICAN MICROWAVE CORPORATION

7311-G GROVE ROAD
FREDERICK, MARYLAND 21704 USA
TEL: 301-662-4700 FAX: 301-662-4938
WEBSITE: www.americanmicrowavecorp.com
E-MAIL: sales@americanmicrowavecorp.com
ISO 9001:2000 CERTIFIED

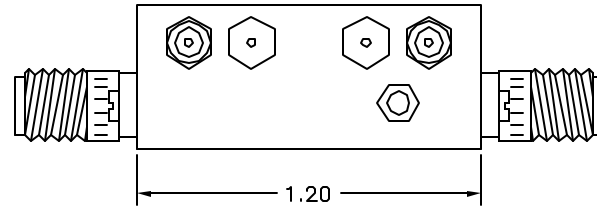


| APPROVALS | | DATE | TITLE | | |
|-----------|------------|---------|--|----------|--------------|
| DRAWN | <i>FDS</i> | 4/19/06 | PRODUCT FEATURE SWN-RA-2DRH-COMDEV OPTION: 902, HS100NS 9.2 GHz, SINGLE POLE TWO THROW SWITCH | | |
| CHECKED | | | SIZE | FSCM NO. | DWG NO. |
| ISSUED | | | A | 60483 | 100-7639 |
| | | | SCALE | N:S | SHEET 1 OF 4 |

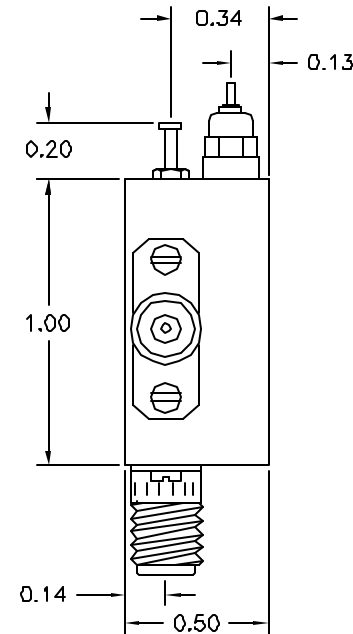
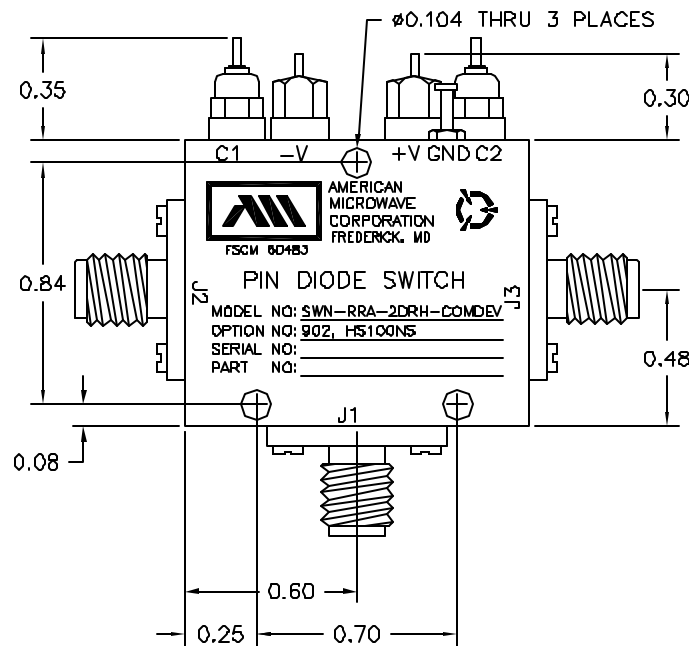
DESCRIPTION

AMC MODEL SWN-RA-2DRH-COMDEV OPTIONS: 902, HS100NS IS A REFLECTIVE SINGLE POLE TWO THROW SWITCH MODULE DESIGNED FOR HIGH POWER APPLICATIONS AND OPTIMIZED FOR THE FREQUENCY OF 9.2 GHz.

| REVISIONS | | | | |
|-----------|------|--------------------------------|---------|----------|
| ZONE | REV. | DESCRIPTION | DATE | APPROVED |
| | - | ORIGINAL RELEASE JOB# 603045XN | 4/19/06 | |



MECHANICAL OUTLINE



AMERICAN MICROWAVE CORPORATION

7311-G GROVE ROAD
 FREDERICK, MARYLAND 21704 USA
 TEL: 301-662-4700 FAX: 301-662-4938
 WEBSITE: www.americanmicrowavecorp.com
 E-MAIL: sales@americanmicrowavecorp.com
 ISO 9001:2000 CERTIFIED



ALL DIMENSIONS ARE IN INCHES
 TOLERANCES:
 X.XX ±0.020
 X.XXX ±0.010

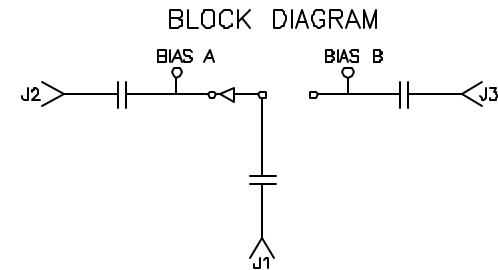
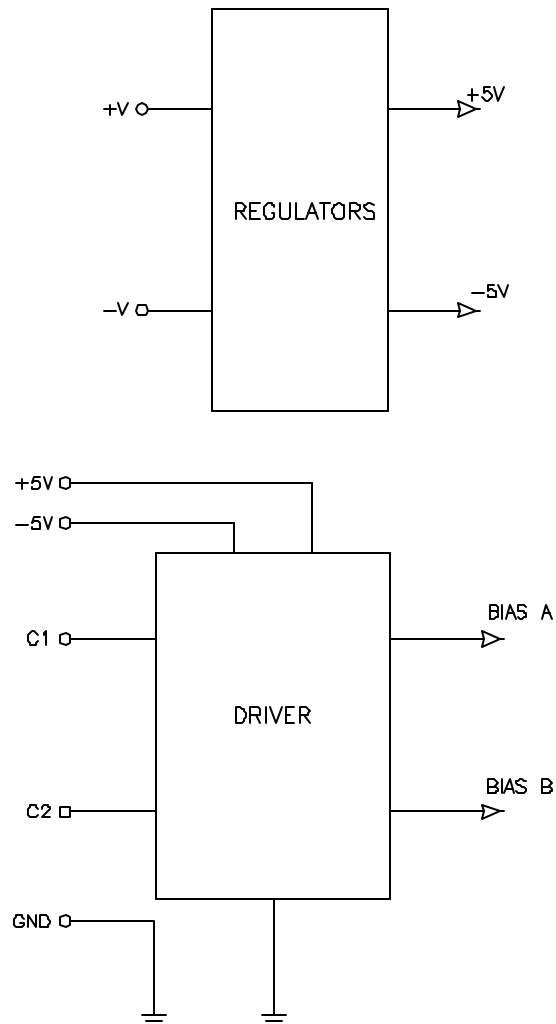
| APPROVALS | | DATE | TITLE | | | |
|-----------|------------|---------|---|----------|----------|--------|
| DRAWN | <i>FDS</i> | 4/19/06 | MECHANICAL OUTLINE SWN-RA-2DRH-COMDEV OPTION: 902, HS100NS 9.2 GHz, SINGLE POLE TWO THROW SWITCH | | | |
| CHECKED | | | SIZE | FSCM NO. | DWG NO. | REV. |
| ISSUED | | | A | 60483 | 100-7639 | - |
| | | | SCALE | N:S | SHEET | 2 OF 4 |

DESCRIPTION

AMC MODEL SWN-RRA-2DRH-COMDEV OPTIONS: 902, HS100NS IS A REFLECTIVE SINGLE POLE TWO THROW SWITCH MODULE DESIGNED FOR HIGH POWER APPLICATIONS AND OPTIMIZED FOR THE FREQUENCY OF 9.2 GHz.

| REVISIONS | | | | |
|-----------|------|--------------------------------|---------|----------|
| ZONE | REV. | DESCRIPTION | DATE | APPROVED |
| | - | ORIGINAL RELEASE JOB# 603045XN | 4/19/06 | |

FUNCTIONAL BLOCK DIAGRAM



AMERICAN MICROWAVE CORPORATION

7311-G GROVE ROAD
 FREDERICK, MARYLAND 21704 USA
 TEL: 301-662-4700 FAX: 301-662-4938
 WEBSITE: www.americanmicrowavecorp.com
 E-MAIL: sales@americanmicrowavecorp.com
 ISO 9001:2000 CERTIFIED



| APPROVALS | | DATE | TITLE | | |
|-----------|------------|---------|--|-----------|--------------|
| DRAWN | <i>FDF</i> | 4/19/06 | FUNCTIONAL BLOCK DIAGRAM SWN-RRA-2DRH-COMDEV OPTION: 902, HS100NS 9.2 GHz, SINGLE POLE TWO THROW SWITCH | | |
| CHECKED | | | SIZE | PSCH. NO. | DWG. NO. |
| ISSUED | | | A | 60483 | 100-7639 |
| | | | SCALE | N:S | SHEET 3 OF 4 |